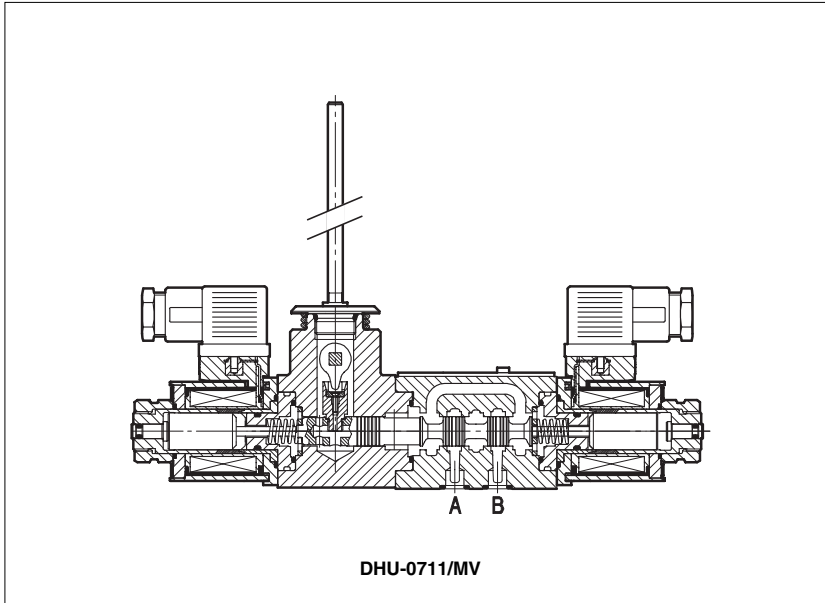


Auxiliary hand levers for solenoid valves

direct operated on-off and proportional, ISO 4401 size 06



Auxiliary hand levers for direct operated on-off and proportional valves size 06, type DHI, DHU, DHZO and QVHZO.

This option allows to operate the valves in absence of electrical power supply, i.e. during commissioning, maintenance or in case of emergency.

It is available with two different configurations depending to the installation requirements:

MV = lever positioned vertically (perpendicular to the valve axis)

MO = lever positioned horizontally (parallel to the valve axis)

When the valve is electrically operated the hand lever remains stopped in its rest position

The hand lever execution does not affect the performances of the original valves.

1 MODEL CODE FOR ON-OFF DIRECTIONAL VALVES (for the details, see tab. E010)

DHI - 0	63 1/2 /	MV - X	24 DC	**	/*
Directional control valves size 06 DHI-0 = solenoid OI for AC and DC supply DHU-0 = solenoid OU for DC supply					Synthetic fluids WG = water glycol PE = phosphate ester
Valve configuration and spool type			External supply voltage 00 = valve without coils		Design number
Options, hand lever configuration: MV = vertical position MO = horizontal position			X = without connector		

2 MODEL CODE FOR PROPORTIONAL DIRECTIONAL VALVES AND FLOW CONTROL VALVES (for the details, see tab. F160 and F410)

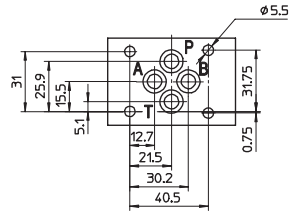
DHZO - A - 0 - 7	1 S - 5 /	MV /	** /	*
DHZO = directional control valve QVHZO = flow control valves				Synthetic fluids WG = water-glycol PE = phosphate ester
A = without position transducer (2)				Design number
Valve size 0 = ISO 4401 size 06 (for DHZO) 06 = ISO 4401 size 06 (for QVHZO)			Options, hand lever configuration: MV = vertical position MO = horizontal position	
Valve configuration (only DHZO)			Spool size (for DHZO): 14, 1, 3, 5 Max regulated flow (for QVHZO): 3-6-12-18-36-45 l/min	
Spool type (only DHZO)				

Notes:

- (1) option **/A**: hand-lever mounted at side of port B (only for DHI, DHU)
- option **/B**: hand-lever mounted at side of port A (only for DHZO)
- (2) valves with position transducer (-T) and/or integrate electronics (-TE/-AE) available on request

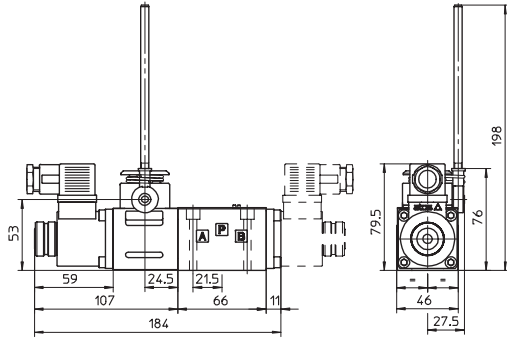
3 LEVER CHARACTERISTICS

Total angle stroke	[°deg]	± 28°	Lever actuating force	[N]	1 ÷ 8
Working angle stroke	[°deg]	± 15°	Lever weight	[g]	880



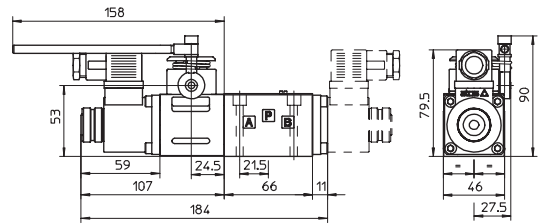
Mounting surface
ISO 4401-AB-03-4 size 06

Fastening bolts: 4 socket head screws M5x50
Seals: 4 OR 108
Ports P,A,B,T: $\varnothing = 7.5$ mm (max).

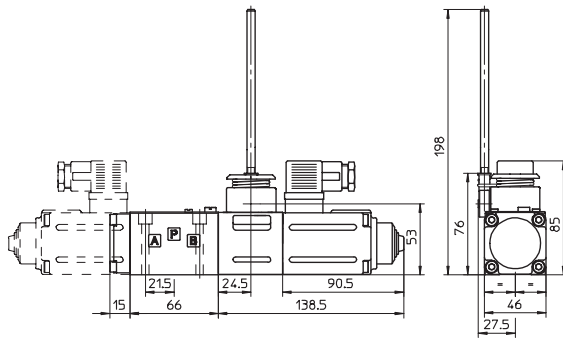


DH*-06*/MV
DH*-07*/MV (dotted line)

Mass: 2,4 kg (single solenoid)
Mass: 2,7 kg (double solenoid)

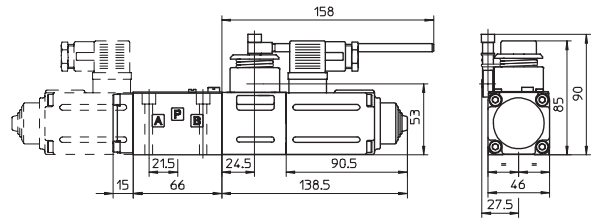


DH*-06*/MO
DH*-07*/MO (dotted line)

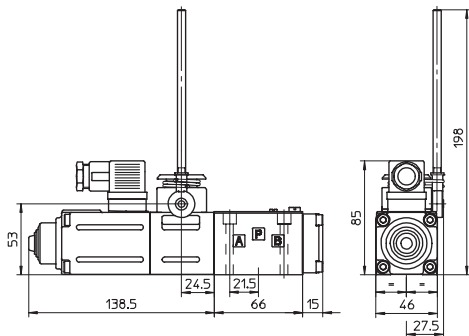


DHZO-A-05*/MV
DHZO-A-07*/MV (dotted line)

Mass: 2,8 kg (single solenoid)
Mass: 3,5 kg (double solenoid)

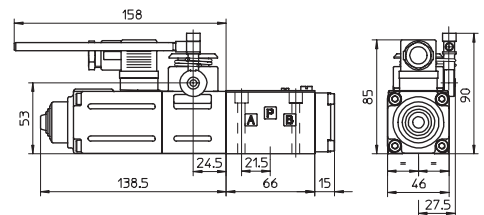


DHZO-A-05*/MO
DHZO-A-07*/MO (dotted line)



QVHZO-A-06*/MV

Mass: 3,2 kg



QVHZO-A-06*/MO