

Rotary actuators



M-DA-H-F4



Torque up to 440,000 IN-LB

HKS rotary actuators

SIMPLE - ROBUST - DEPENDABLE



Advantages

- high collection performance by max. availability of rotary actuator
 - compact and ergonomical design of rotary actuator
 - very long lifetime
 - almost maintenance free
- emptying process with reduced dust and noise emissions and low stress container handling
 - splined shaft ends for max torque transmission
 - safety features conforming to EU standards
 - foot mounting for smallest clearance
 - working pressure up to 3000 PSI
 - torques up to 440,000 IN-LBS
 - usable for all lifting devices
 - all rotation angles possible
 - steep emptying angle



Lastenheft zur Größenbestimmung und Gefahrenanalyse

Performance specification for determining sizes and hazard analysis



Kunde Customer

Firma
Company

Straße
Street

PLZ, Ort
City, ZIP-code

Telefon
Telephone

Telefax
Telefax

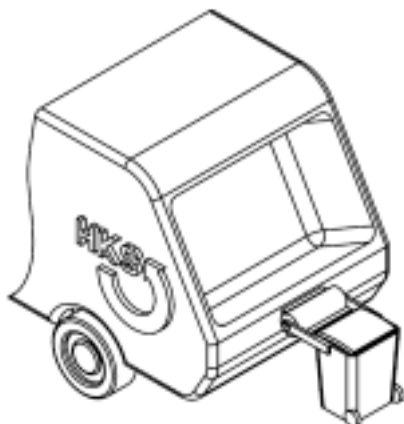
Email

Datum / Unterschrift
Date /Signature

***Nur gültig mit Unterschrift und Datum**
***Only valid with signature and date**

Technische Daten Technical data

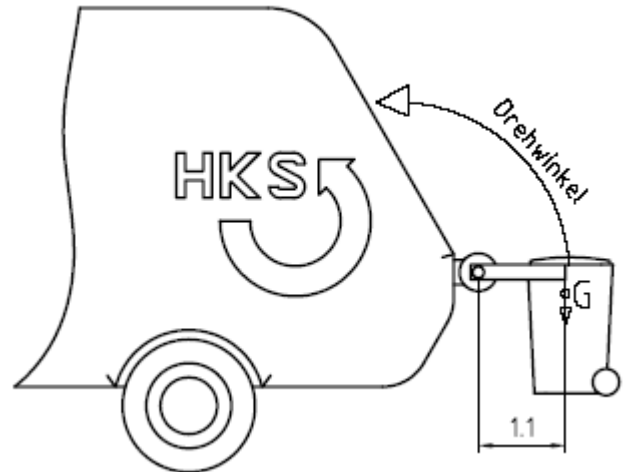
1.1	Hebelarm Leverage	r	m in
1.2	Gewicht Weight	G	kg lb
	oder Biegemoment or bending moment		Nm in-lb
1.3	Axiallast Axial load	Ga	kg lb
1.4	Radiallast Radial load	Gr	kg lb
1.6	Drehmoment Vorgabe Specification of torque		Nm in-lb
2.	Schwenkwinkel effektiv Effective angle of rotation		in Grad in deg.
2.1	Gesamt-Schwenkwinkel Total angle of rotation		in Grad in deg.
3	Einbaulage horizontal Horizontal installation	<input type="checkbox"/>	
3.1	Einbaulage vertikal Vertical installation	<input type="checkbox"/>	
4	Schwenkzeit Rotation time	T	Sek. Sec.
4.1	Taktfolge No. of Cycles	Z	/Minute /minute
4.2	Arbeitsstunden pro Tag Working hours/day		Std h



HKS

Fax: +49 (0) 6053 6163-39

Email: info@hks-partner.com



5	Hydraulikanlage Hydraulic system		
5.1	Effektiver Arbeitsdruck Effective working pressure	p1	bar psi
5.2	Max. zul. Systemdruck Max. permitted system pressure	p2	bar psi
5.3	Förderstrom Delivery rate	Q	l/Minute gpm
5.4	Anlagentemperatur System temperature	C1	°Celsius °F
5.5	Umgebungstemperatur Surrounding temperature	C2	°Celsius °F
5.6	Betriebsmedium Medium used		
7	Bedingungen am Einsatzort Conditions at working place		

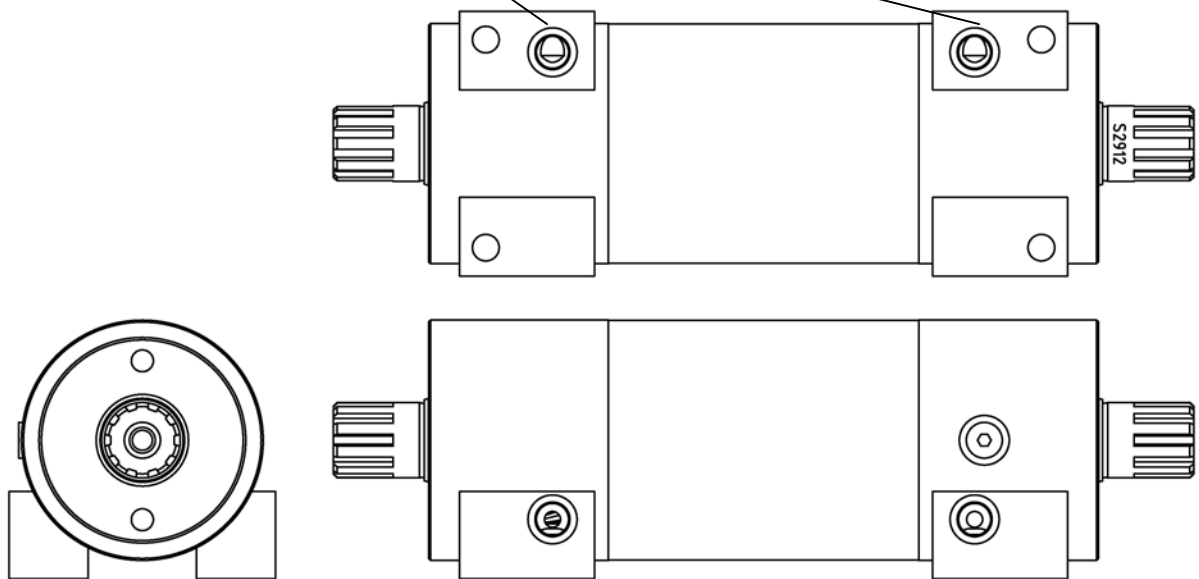
Lasthalteventil
Load-holding valve

Sonstiges
Others

Empfohlener Antrieb
Recommended actuator

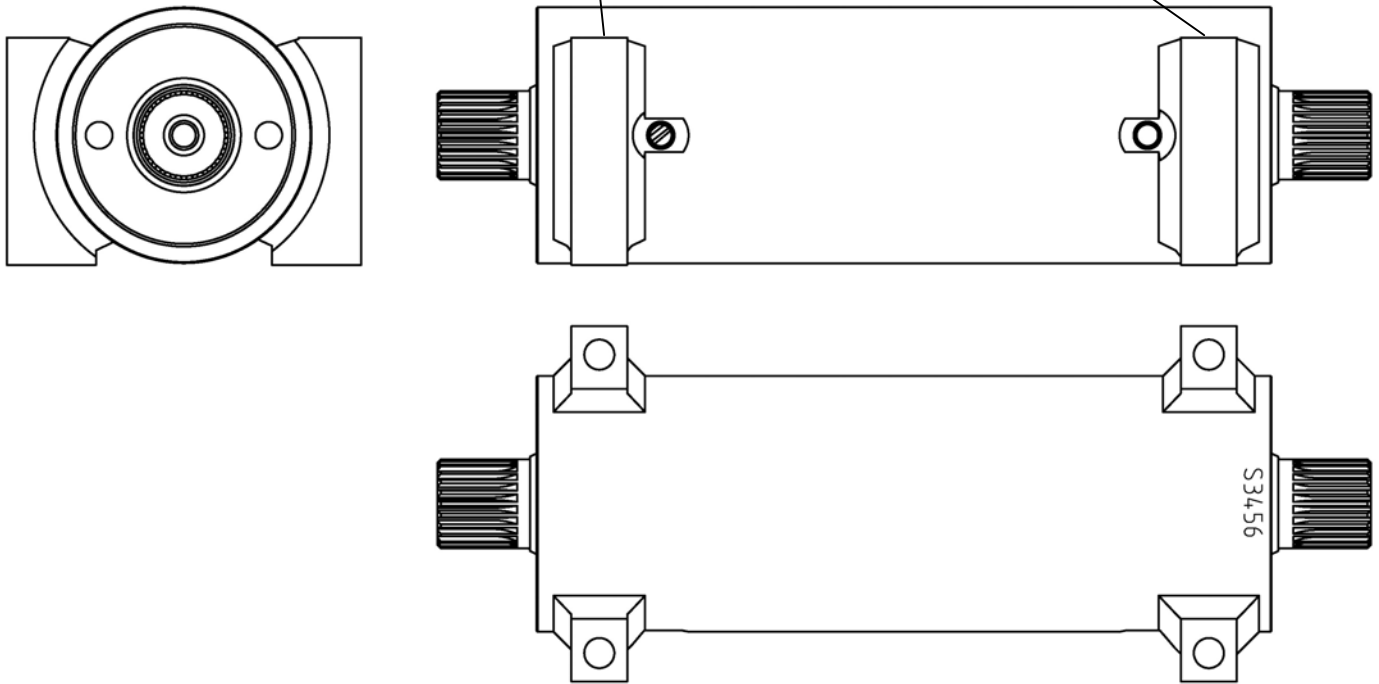
16,650 INCH-LBS
1,180 Nm

Oil ports in the feet

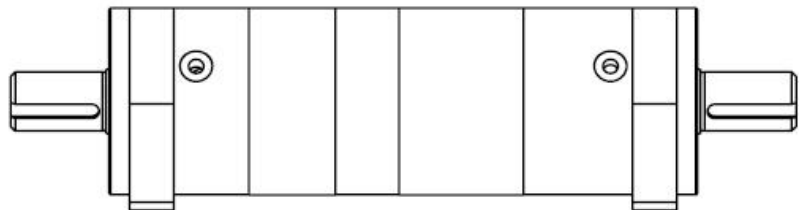
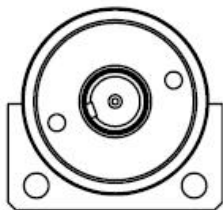
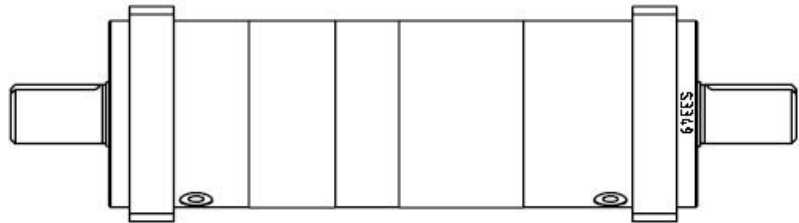


18,000 INCH-LBS
2,000 Nm

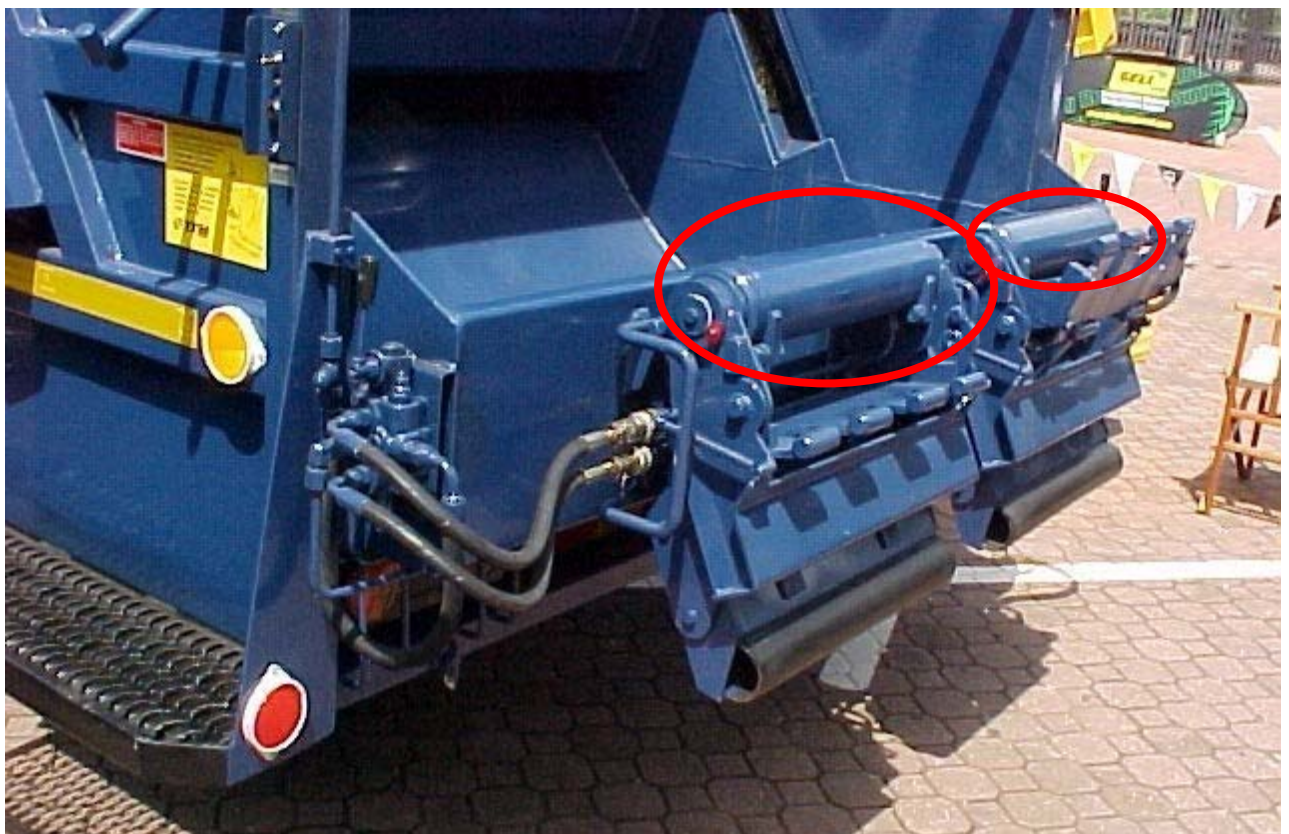
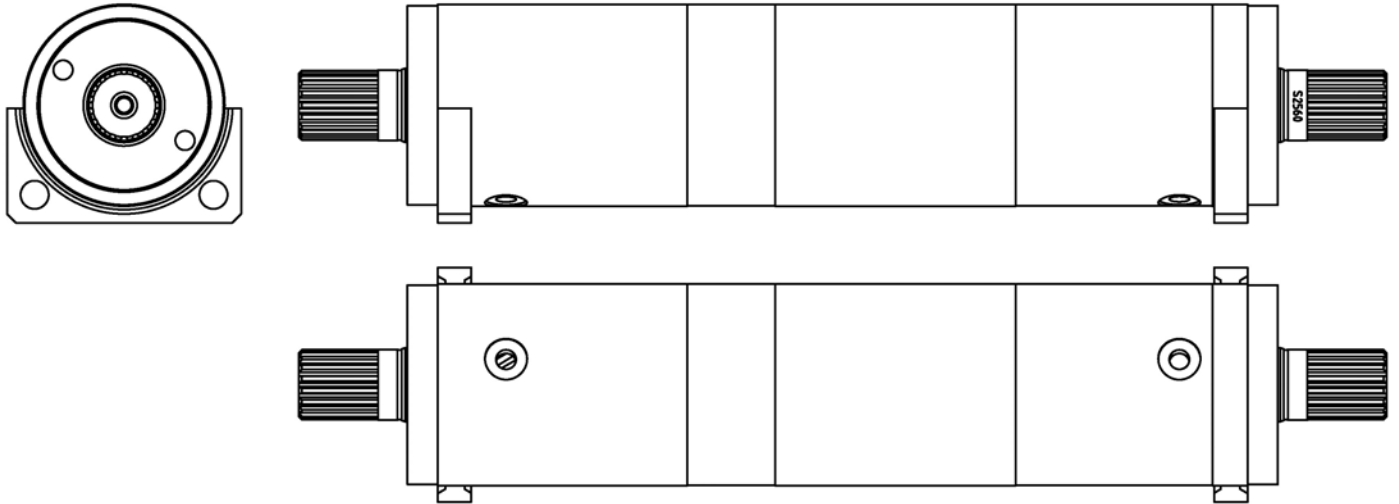
through holes in the feet



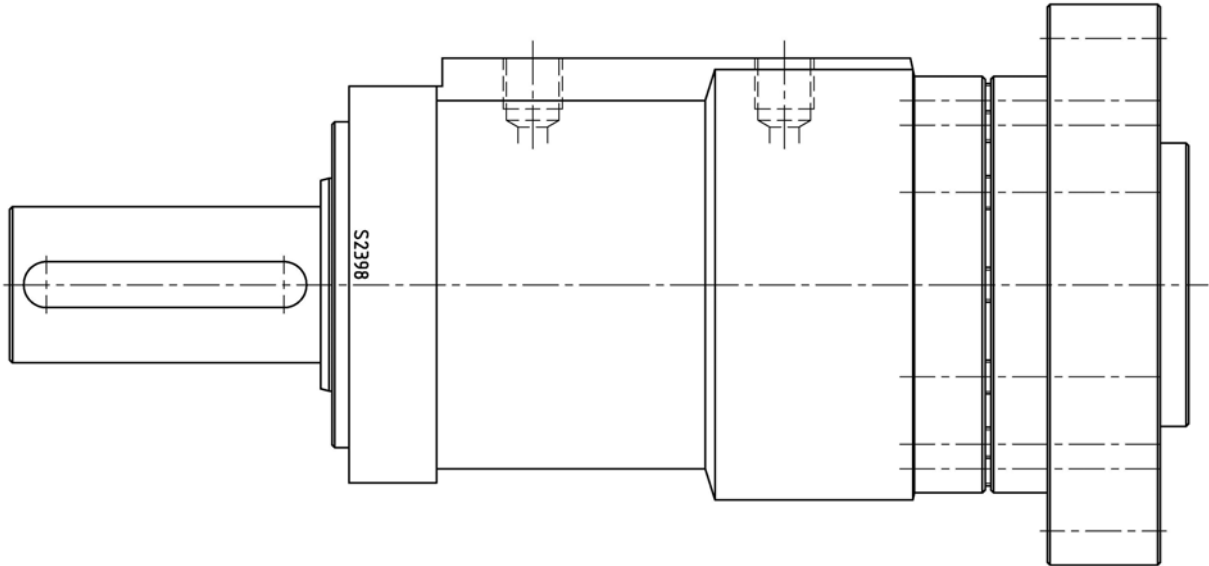
19,500 INCH-LBS
2,225 Nm



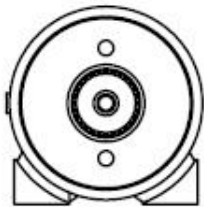
19,300 INCH-LBS
2,180 Nm



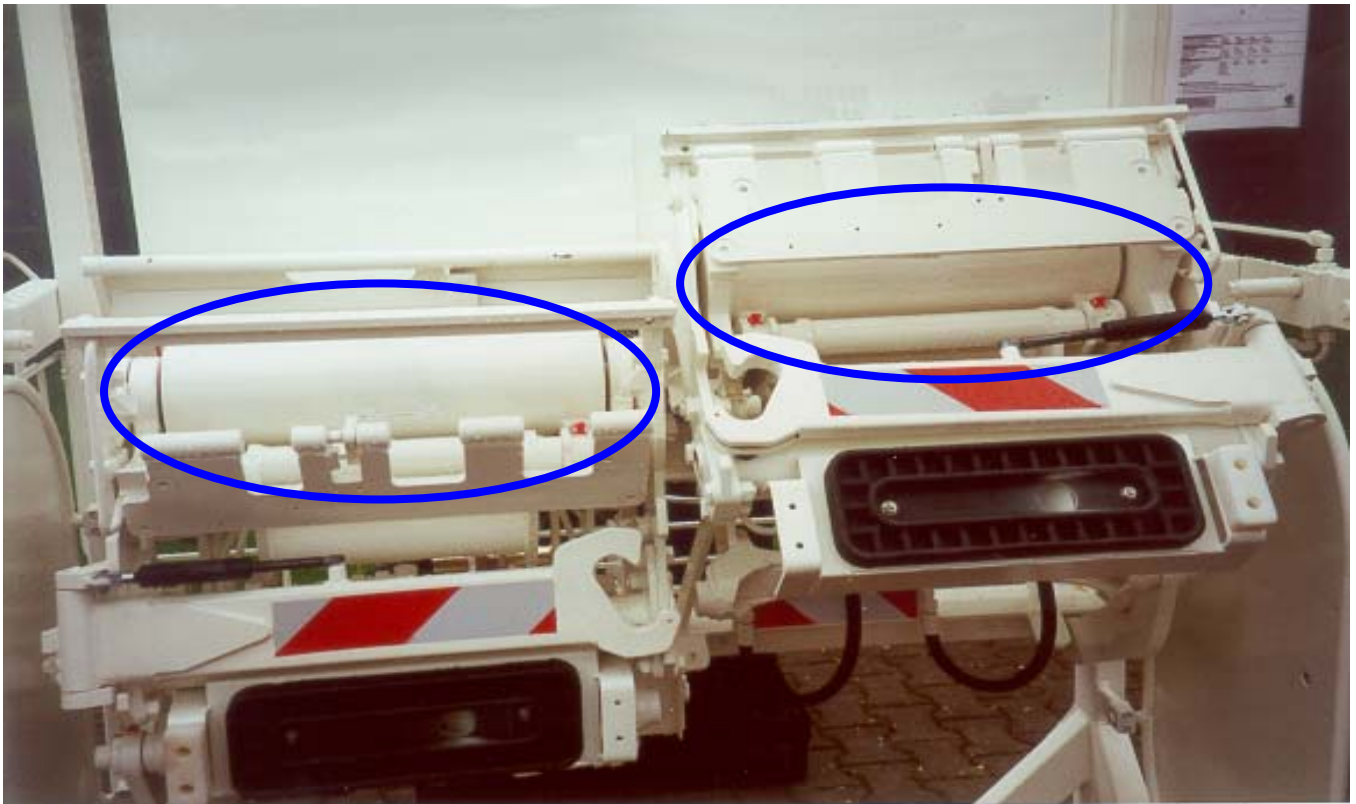
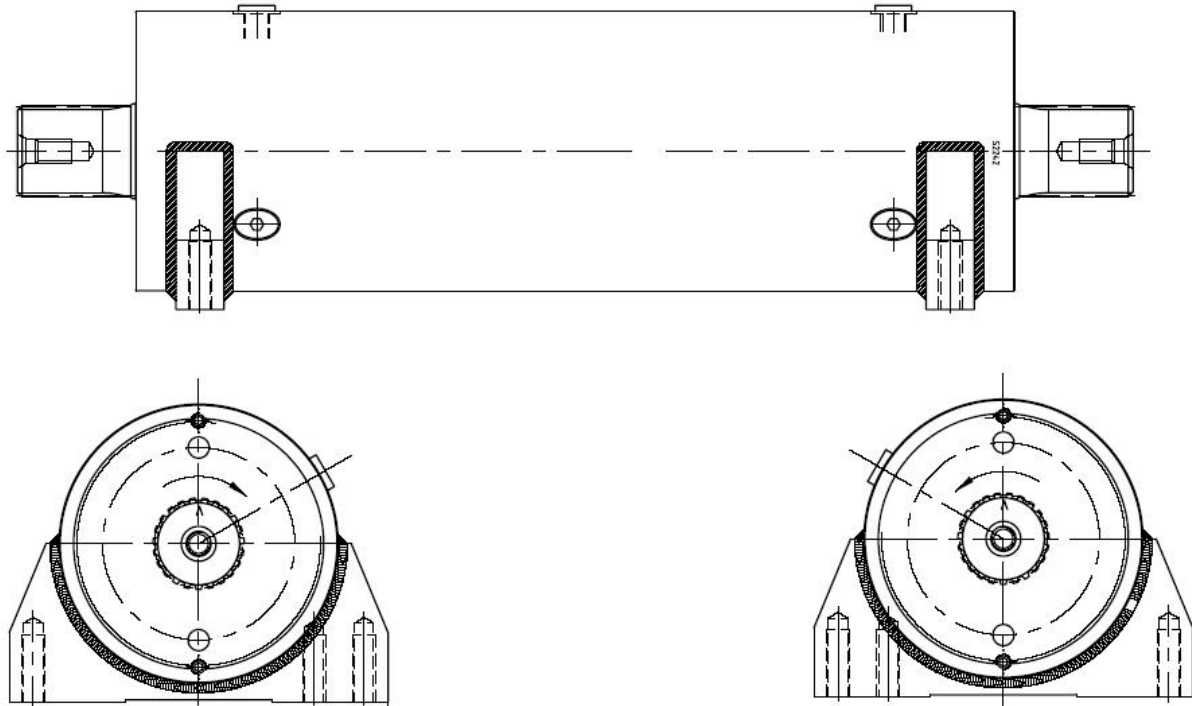
23,000 INCH-LBS
2,625 Nm



26,000 INCH-LBS
2,950 Nm



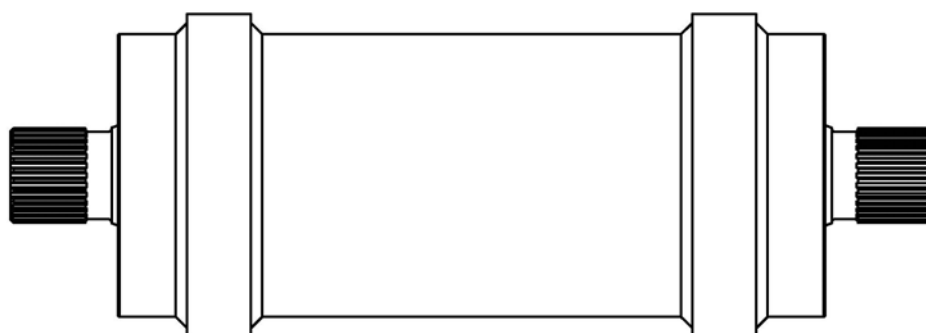
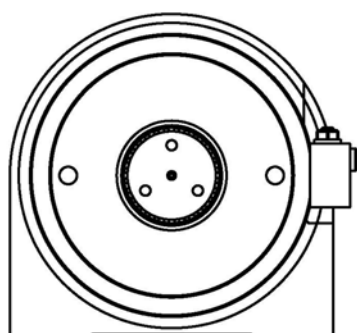
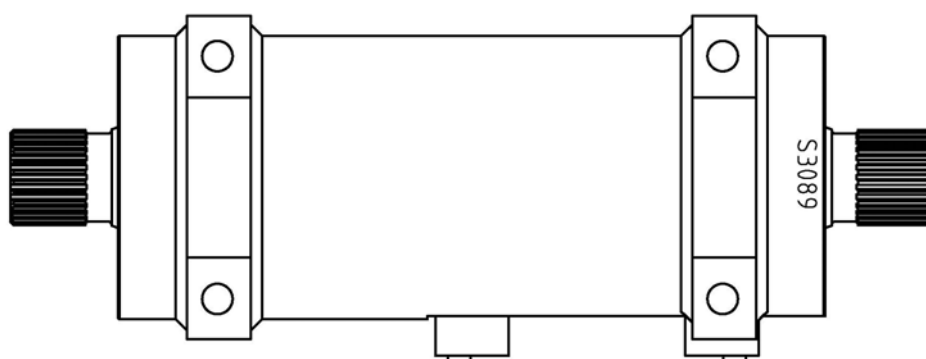
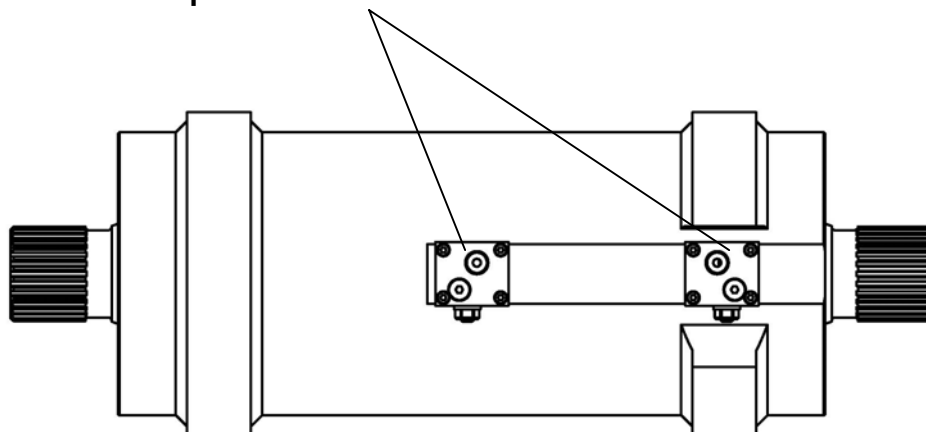
42,000 INCH-LBS
4,800 Nm



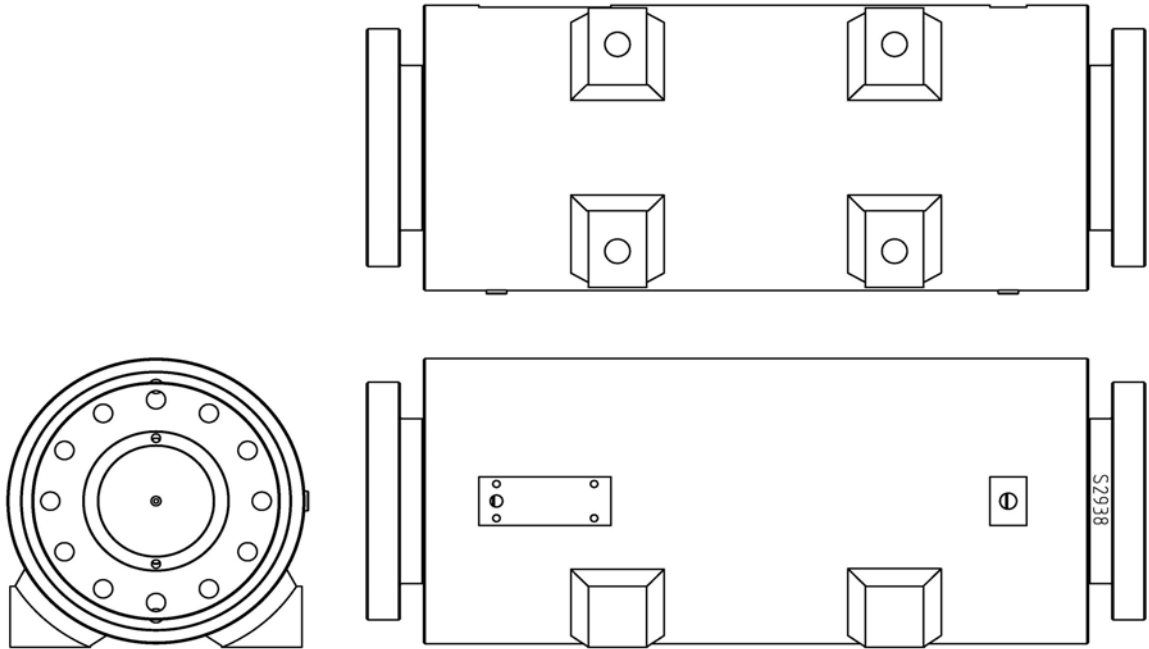
55,700 INCH-LBS

6,300 Nm

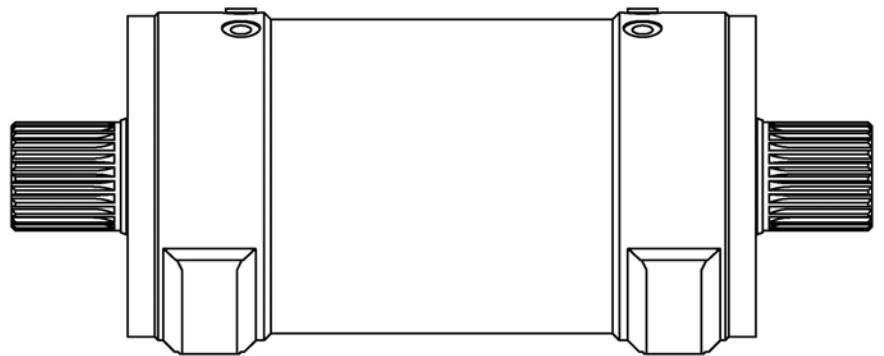
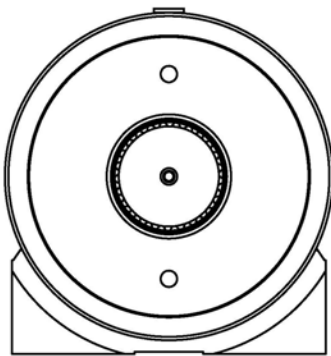
with cushioning in both end positions



63,000 INCH-LBS
7,100 Nm



80,000 INCH-LBS
9,000 Nm



165,000 INCH-LBS
18,700 Nm

