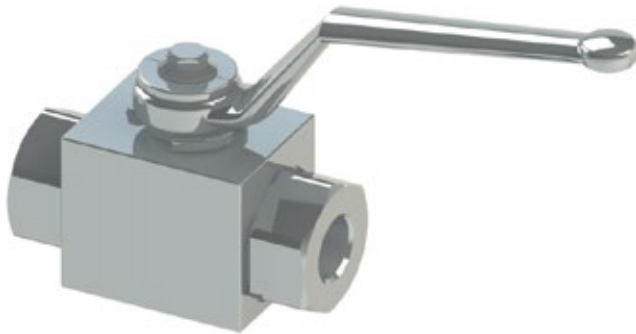
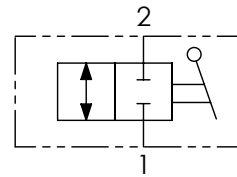


01 02 03

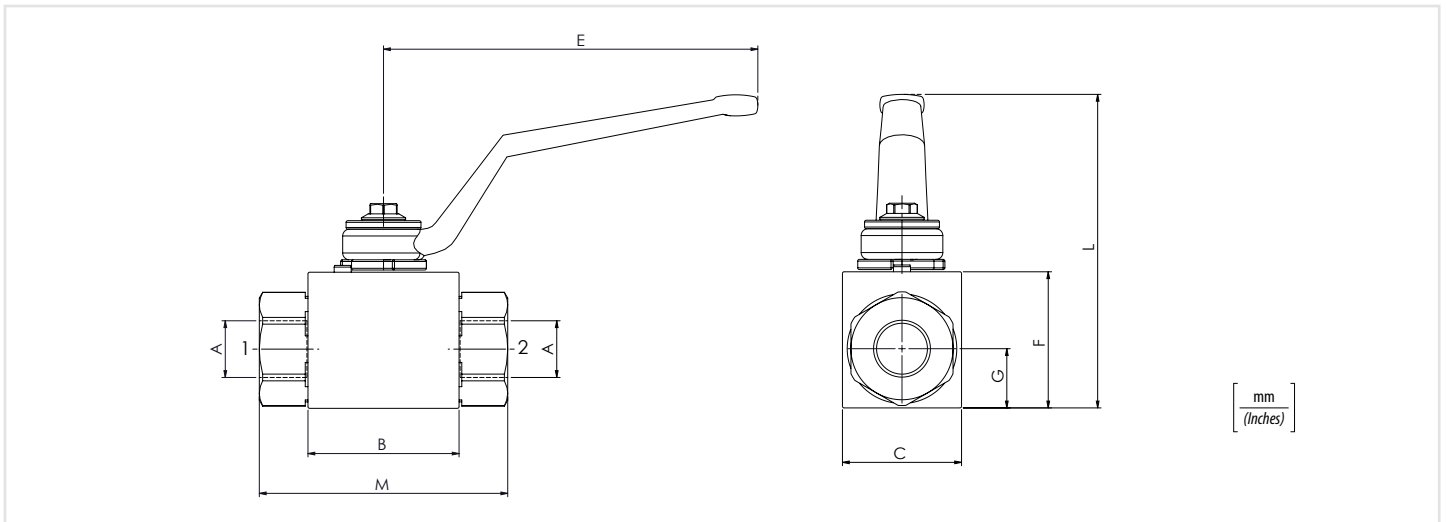
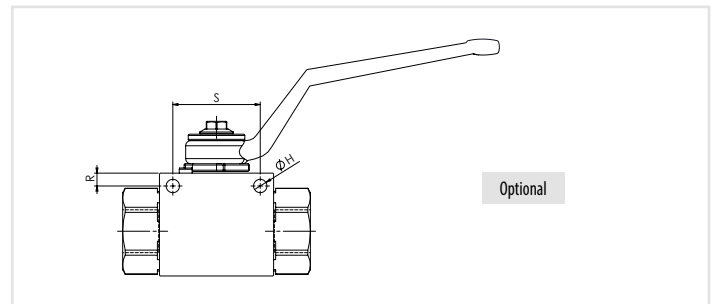
Ordering code
RAS2


01	2 ways ball valves	RAS2	
02	Size	BSPP 1/8	180
		BSPP 1/4	140
		BSPP 3/8	380
		BSPP 1/2	120
		BSPP 3/4	340
		BSPP 1	100
		BSPP 1-1/4	114
		BSPP 1-1/2	112
03	Fixing ports	P	

Hydraulic circuit

Technical data

Mineral oil	ISO 6743/4 (DIN 51524)		
Oil viscosity	15-250 mm²/s (15 to 250 cSt)		
Max contamination index with filter	ISO 4406:1999 Classe 19/17/14		
Oil temperature	-20°C +80°C	-4°F + 176°F	
Ambient temperature	-20°C +50°C	-4°F + 122°F	

It is necessary a filter use to protect the valve (advised filtration 15 µm)


Technical characteristics

Type	A	Max flow l/min-USgpm	Max pressure bar-PSI	B	C	E	F	G	H	L	M	R	S	Approx weight kg-lb		
RAS2180	BSPP 1/8	15 (4)	500 (7250)	42,4 (1.67)	30 (1.18)	110 (4.33)	35 (1.38)	14,5 (0.57)	5,2 (0.20)	91,5 (3.60)	71 (2.80)	4,5 (0.18)	34 (1.34)	0,5 (1.1)		
RAS2140	BSPP 1/4	25 (6.6)		44,4 (1.75)	35 (1.38)		40 (1.57)	17,5 (0.69)		96,5 (3.80)	73 (2.87)			0,7 (1.5)		
RAS2380	BSPP 3/8	35 (9.2)		48,4 (1.91)	37 (1.46)		43 (1.69)	18 (0.71)		99,5 (3.92)	83 (3.27)			0,8 (1.8)		
RAS2120	BSPP 1/2	60 (15.8)		62,5 (2.46)	45 (1.77)		55 (2.17)	23,5 (0.93)		106,5 (4.19)	95 (3.74)			1,5 (3.3)		
RAS2340	BSPP 3/4	100 (26.4)	400 (5800)	66,5 (2.62)	55 (2.17)	180 (7.09)	65 (2.56)	29,5 (1.16)	6,2 (0.24)	112 (4.41)	116,5 (4.59)	120 (4.72)	6 (0.24)	50 (1.97)		
RAS2100	BSPP 1	150 (39.6)	350 (5075)							112 (4.41)					112 (4.41)	2,3 (5)
RAS2114	BSPP 1-1/4									120 (4.72)					120 (4.72)	2,5 (5.5)
RAS2112	BSPP 1-1/2									124 (4.88)					124 (4.88)	2,5 (5.5)