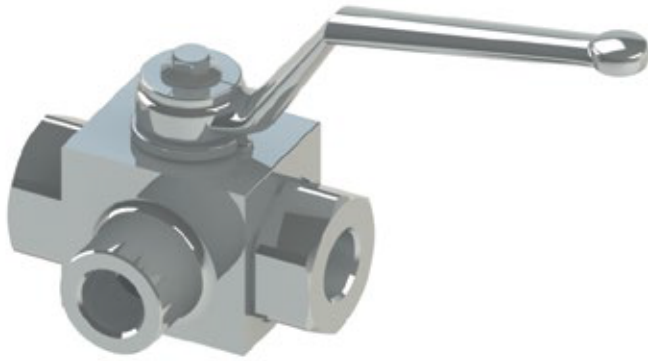
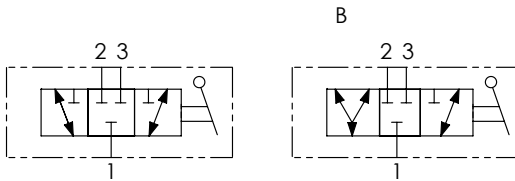


01 02 03 04

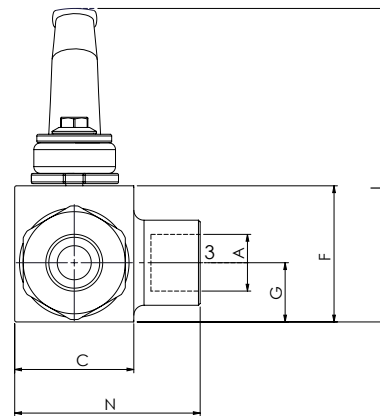
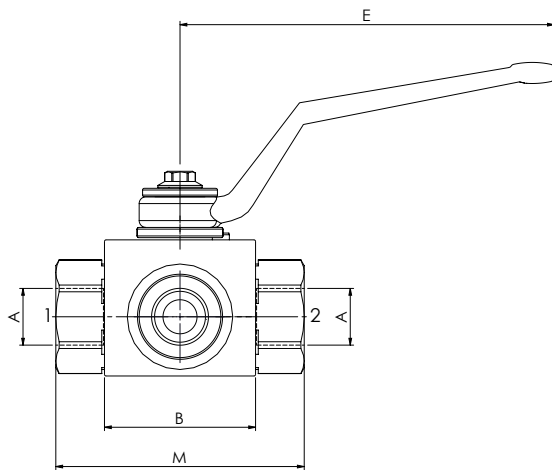
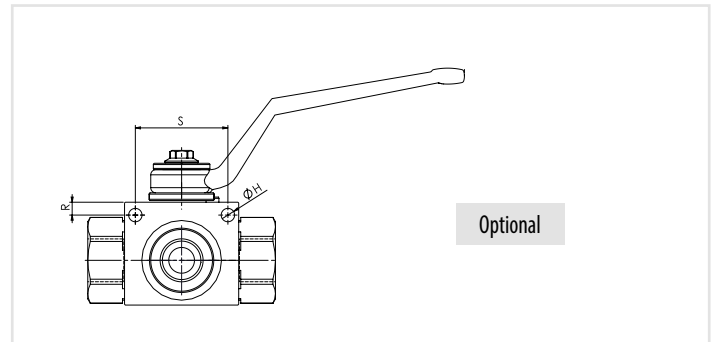

Ordering code
RAS3
Hydraulic circuit


01	3 ways ball valves	RAS3	
02	Size	BSPP 1/8	180
		BSPP 1/4	140
		BSPP 3/8	380
		BSPP 1/2	120
		BSPP 3/4	340
		BSPP 1	100
		BSPP 1-1/4	114
		BSPP 1-1/2	112
03	Circuit	Standard	/
		Schema B	B
04	Optional	Fixing ports	P

Technical data

Mineral oil	ISO 6743/4 (DIN 51524)	
Oil viscosity	15-250 mm ² /s (15 to 250 cSt)	
Max contamination index with filter	ISO 4406:1999 Classe 19/17/14	
Oil temperature	-20°C +80°C	-4°F + 176°F
Ambient temperature	-20°C +50°C	-4°F + 122°F

It is necessary a filter use to protect the valve (advised filtration 15 µm)


 mm
(Inches)

Technical characteristics

Type	A	Max flow l/min-USgpm	Max pressure bar/PSI	B	C	E	F	G	H	L	M	N	R	S	Approx weight kg/lb							
RAS3180	BSPP 1/8	15 (4)	400 (5800)	42,4 (1.67)	30 (1.18)	110 (4.33)	35 (1.38)	14,5 (0.57)	5,2 (0.20)	91,5 (3.60)	71 (2.80)	48,5 (1.91)	4,5 (0.18)	34 (1.34)	0,6 (1.3)							
RAS3140	BSPP 1/4	25 (6.6)		44,4 (1.75)	35 (1.38)		40 (1.57)	17,5 (0.69)		96,5 (3.80)	73 (2.87)	54,5 (2.15)	5 (0.20)	36 (1.42)	0,7 (1.5)							
RAS3380	BSPP 3/8	35 (9.2)		48,4 (1.91)	37 (1.46)		43 (1.69)	18 (0.71)		99,5 (3.92)	83 (3.27)	58,5 (2.30)	6 (0.24)	50 (1.97)	0,8 (1.8)							
RAS3120	BSPP 1/2	60 (15.8)		62,5 (2.46)	45 (1.77)		55 (2.16)	23,5 (0.93)		106,5 (4.19)	95 (3.74)	75 (2.95)			1,6 (3.5)							
RAS3340	BSPP 3/4	100 (26.4)	350 (5075)	66,5 (2.62)	55 (2.17)	180 (7.09)	65 (2.56)	29,5 (1.16)	6,2 (0.24)	112 (4.41)	120 (4.72)	87,5 (3.44)	6 (0.24)	50 (1.97)	2,4 (5.3)							
RAS3100	BSPP 1	150 (89.6)								124 (4.88)	2,6 (5.7)											
RAS3114	BSPP 1-1/4																					2,8 (6)
RAS3112	BSPP 1-1/2																					