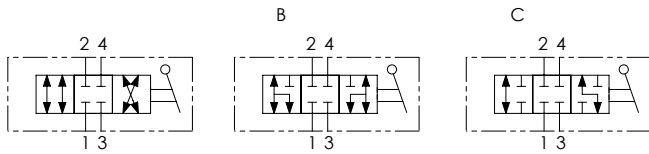


Hydraulic circuit



Technical data

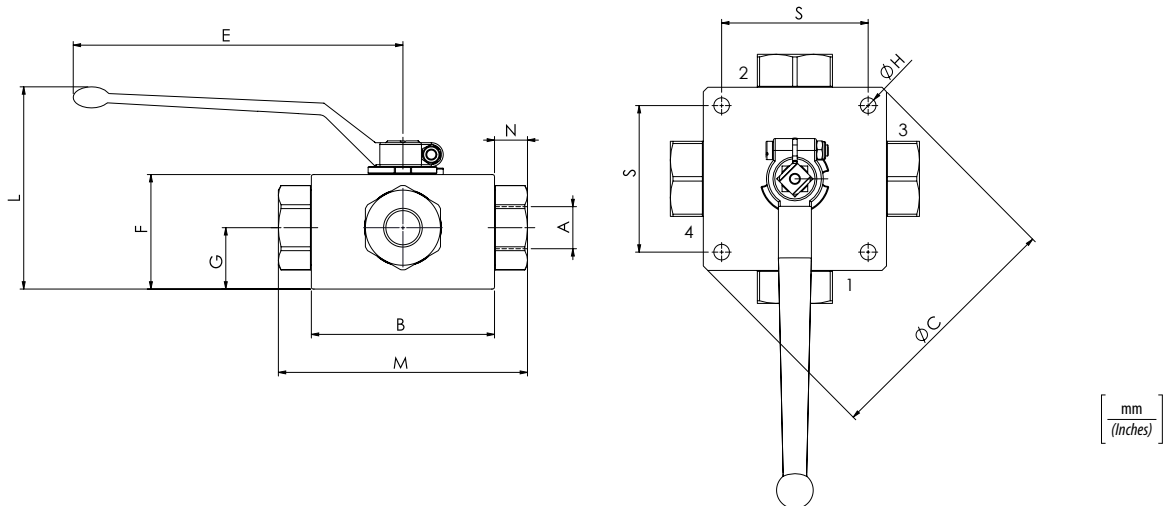
Mineral oil	ISO 6743/4 (DIN 51524)		
Oil viscosity	15-250 mm ² /s (15 to 250 cSt)		
Max contamination index with filter	ISO 4406:1999 Classe 19/17/14		
Oil temperature	-20°C +80°C	-4°F + 176°F	
Ambient temperature	-20°C +50°C	-4°F + 122°F	

It is necessary a filter use to protect the valve (advised filtration 15 µm)

01	02	03	04
RAS4			P

Ordering code

01	4 ways ball valves		RAS4
02	Size	BSPP 1/4	140
		BSPP 3/8	380
		BSPP 1/2	120
		BSPP 3/4	340
		BSPP 1	100
		BSPP 1-1/4	114
		BSPP 1-1/2	112
03	Circuit	Standard	/
		Schema B	B
		Schema C	C
04	Optional	Fixing ports	P



Technical characteristics

Type	A	Max flow l/min-USgpm	Max pressure bar/PSI	B	C	E	F	G	H	L	M	N	S	Approx weight kg/lb
RAS4140	BSPP 1/4	25 (6.6)	500 (7250)	70 (2.76)	/	110 (4.33)	42 (1.65)	21,5 (0.85)	6,5 (0.26)	97,5 (3.84)	100 (3.94)	15,5 (0.61)	55 (2.17)	1,80 (3.96)
RAS4380	BSPP 3/8	35 (9.2)	400 (5800)	80 (3.15)		180 (7.09)	53 (2.09)	28,5 (1.12)		101 (3.98)	115 (4.53)		65 (2.56)	3 (6.60)
RAS4120	BSPP 1/2	60 (15.8)	350 (5075)	100 (3.94)		62 (2.44)	33 (1.30)	8,5 (0.33)	110 (4.33)	136 (5.35)	17 (0.67)	80 (3.15)	5,2 (11.44)	
RAS4340	BSPP 3/4	100 (26.4)		113 (4.45)		68 (2.68)	36 (1.42)		116,5 (4.59)	156 (6.14)	21 (0.83)	6,9 (15.18)		
RAS4100	BSPP 1	150 (89.6)		118 (4.65)		138 (5.43)	300 (11.81)		82 (3.23)	47,5 (1.87)	130,5 (5.14)	181 (7.13)	24 (0.94)	85 (3.35)
RAS4114	BSPP 1-1/4			118 (4.65)		138 (5.43)	300 (11.81)	82 (3.23)	47,5 (1.87)	130,5 (5.14)	181 (7.13)	24 (0.94)	85 (3.35)	9,2 (20.24)
RAS4112	BSPP 1-1/2			118 (4.65)		138 (5.43)	300 (11.81)	82 (3.23)	47,5 (1.87)	130,5 (5.14)	181 (7.13)	24 (0.94)	85 (3.35)	9,2 (20.24)