



01 02
STUF

01	Unidirectional flow control valves	STUF	
02	Size	BSPP 1/8	180
		BSPP 1/4	140
		BSPP 3/8	380
		BSPP 1/2	120
		BSPP 3/4	340
		BSPP 1	100
		BSPP 1-1/4	114
		BSPP 1-1/2	112

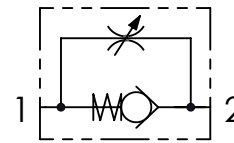
Ball sealing only for STU180/140/380/120

Technical data

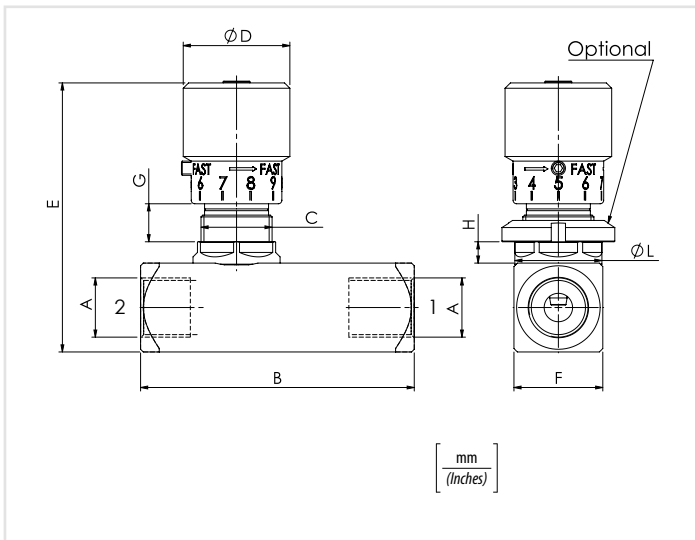
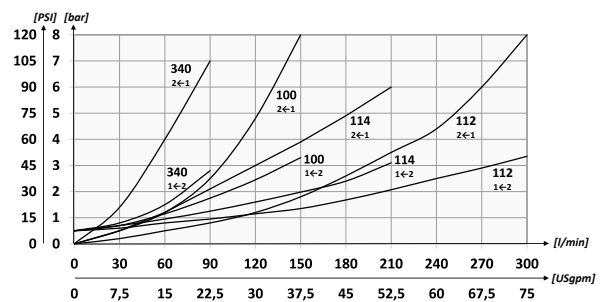
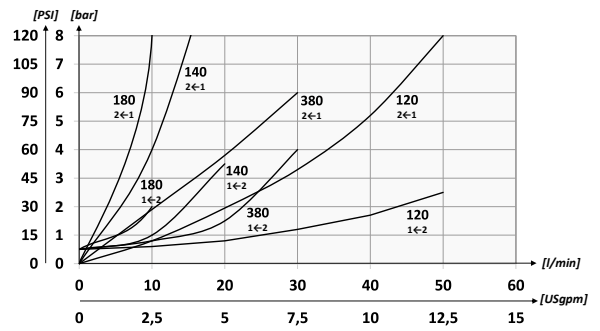
Mineral oil	ISO 6743/4 (DIN 51524)	
Oil viscosity	15-250 mm²/s (15 to 250 cSt)	
Max contamination index with filter	ISO 4406:1999 Classe 19/17/14	
Oil temperature	-20°C +80°C	-4°F + 176°F
Ambient temperature	-20°C +50°C	-4°F + 122°F

It is necessary a filter use to protect the valve (advised filtration 15 µm)

Hydraulic circuit



Performances



Technical characteristics

Type	A	Max flow (USgpm)	Max pressure (PSI)	B	C	D	E	F	G	H	L	Optional type	Approx weight kg/lb		
STUF180	BSPP 1/8	10 (2.6)	400 (5800)	58 (2.28)	M15x1	20 (0.79)	60,5 (2.38)	20 (0.79)	8 (0.31)	5,5 (0.21)	19,5 (0.76)	84100031	0,20 (0.44)		
STUF140	BSPP 1/4	15 (4)		66 (2.60)	M20x1	30 (1.18)	75 (2.95)	25 (0.98)	7,5 (0.29)	6 (0.23)	24,5 (0.96)	84100022	0,38 (0.84)		
STUF380	BSPP 3/8	30 (7.9)		77 (3.03)	M25x1,5	33 (1.30)	81 (3.19)	30 (1.18)	9 (0.35)	7 (0.27)	29,5 (1.16)	84100023	0,63 (1.40)		
STUF120	BSPP 1/2	50 (13.2)		91 (3.58)	M35x1,5	42 (1.65)	110 (4.33)	40 (1.57)	15,5 (0.61)	8 (0.31)	39,5 (1.55)	84100024	1,45 (3.2)		
STUF340	BSPP 3/4	80 (21.1)	350 (5075)	112,5 (4.43)	M45x1,5	53 (2.09)	115 (4.53)	45 (1.77)	13,5 (0.53)	10 (0.39)	50 (1.96)	84100030	2 (4.4)		
STUF100	BSPP 1	150 (39.6)		141 (5.55)			115 (4.53)	45 (1.77)						115 (4.53)	45 (1.77)
STUF114	BSPP 1-1/4	200 (52.8)		155 (6.10)			137 (5.39)	55 (2.17)						137 (5.39)	55 (2.17)
STUF112	BSPP 1-1/2	300 (79.2)	168 (6.61)	147 (5.79)	65 (2.56)	147 (5.79)	65 (2.56)	65 (2.56)	10 (0.39)	50 (1.96)	84100030	4,7 (10.3)			