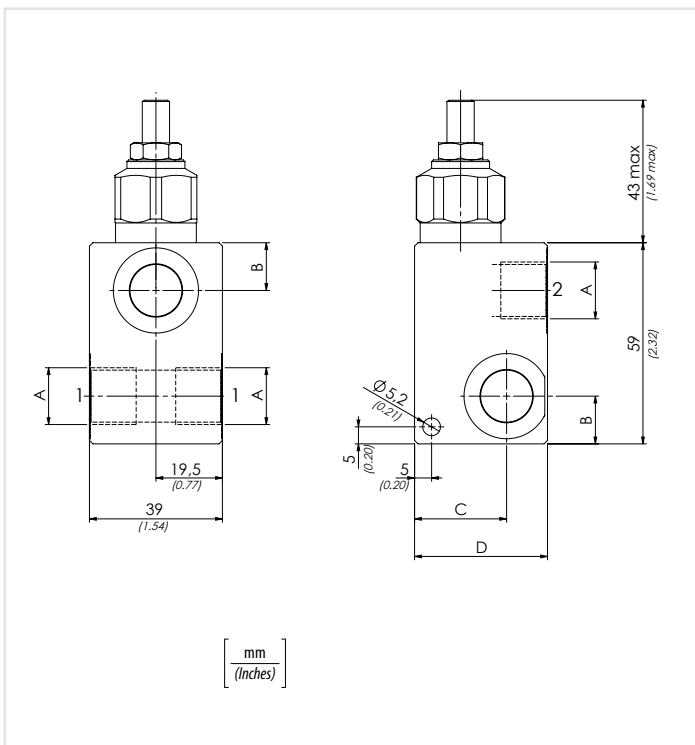
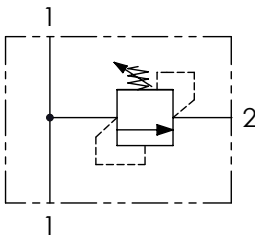


Hydraulic circuit

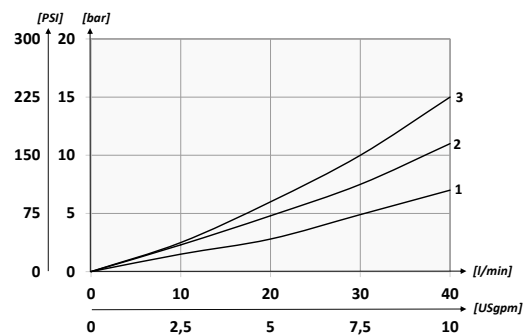
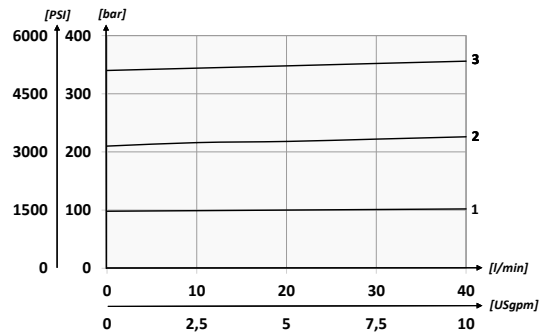


01	02	03	04
VMDR40			

Ordering code

01	Direct acting relief valves		VMDR40
02	Size	BSPP 3/8	380
		BSPP 1/2	120
03	Setting	Screw	C
		Handknob Type 81300109	V
04	Spring 10/90 bar (145/1305 PSI) max	Press. increase 12 bar/al giro (174 PSI/turn)	1
	Spring 20/210 bar (290/3045 PSI) max	Press. increase 33 bar/al giro (479 PSI/turn)	2
	Spring 70/350 bar (1015/5075 PSI) max	Press. increase 70 bar/al giro (1015 PSI/turn)	3

Performances



Technical data

Mineral oil	ISO 6743/4 (DIN 51524)		
Oil viscosity	15-250 mm²/s (15 to 250 cSt)		
Max contamination index with filter	ISO 4406:1999 Classe 19/17/14		
Oil temperature	-20°C +80°C	-4°F + 176°F	
Ambient temperature	-20°C +50°C	-4°F + 122°F	
It is necessary a filter use to protect the valve (advised filtration 15 µm)			

Technical characteristics

Type	A	Max flow l/min-USgpm	Max pressure bar/PSI	B	C	D	Approx weight kg/lb
VMDR40380	BSPP 3/8	40 (10.6)	350 (5075)	14 (0.55)	27 (1.06)	39 (1.54)	0,64 (1.39)
VMDR40120	BSPP 1/2			15 (0.59)	29,5 (1.16)	45 (1.77)	