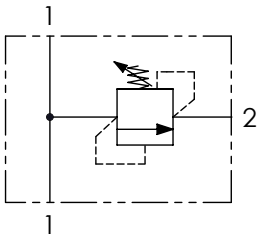


Hydraulic circuit



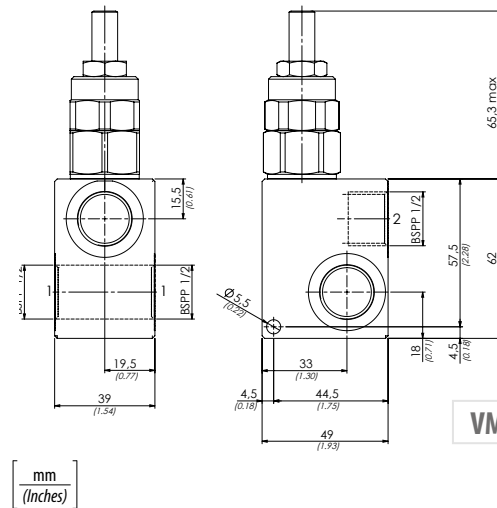
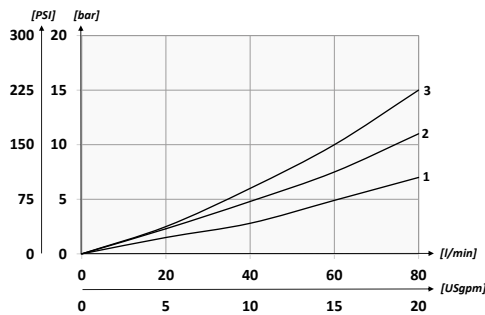
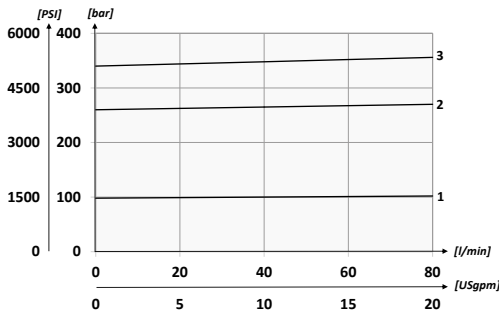
01 02 03 04

Ordering code

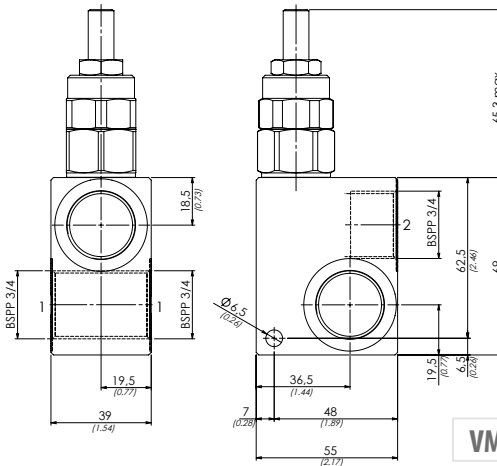
VMDR90

01	Direct acting relief valves		VMDR90
02	Size	BSPP 1/2	120
		BSPP 3/4	340
03	Setting	Screw	C
		Handknob Type 81300023	V
04	Spring 10/100 bar (145/1450 PSI) max	Press. increase 26 bar/al giro (377 PSI/turn)	1
	Spring 20/250 bar (290/3625 PSI) max	Press. increase 41 bar/al giro (595 PSI/turn)	2
	Spring 50/350 bar (725/5075 PSI) max	Press. increase 91 bar/al giro (1320 PSI/turn)	3

Performances



VMDR90120



VMDR90340

Technical data

Mineral oil	ISO 6743/4 (DIN 51524)	
Oil viscosity	15-250 mm²/s (15 to 250 cSt)	
Max contamination index with filter	ISO 4406:1999 Classe 19/17/14	
Oil temperature	-20°C +80°C	-4°F +176°F
Ambient temperature	-20°C +50°C	-4°F +122°F
It is necessary a filter use to protect the valve (advised filtration 15 µm)		

Technical characteristics

Type	Max flow (USgpm)	Max pressure (PSI)	Approx weight (lb)
VMDR90120	80 (21.1)	350 (5075)	0,65 (1.43)
VMDR90340			1 (2.2)