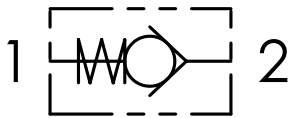


Hydraulic circuit



01 02 03 04

Ordering code

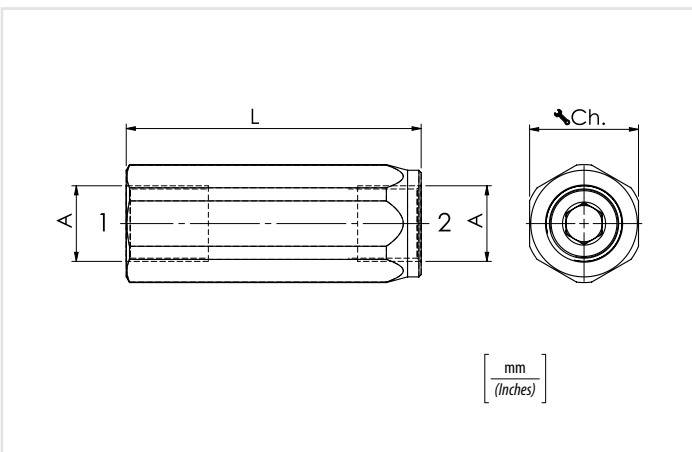
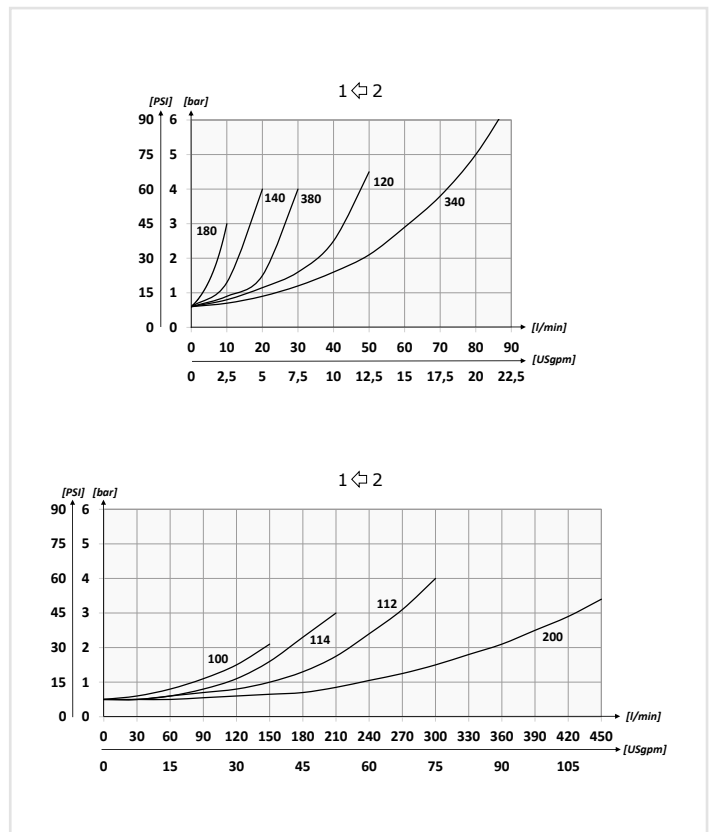
VUR

01	F/F check housing valves	VUR	
02	Size	BSPP 1/8	180
		BSPP 1/4	140
		BSPP 3/8	380
		BSPP 1/2	120
		BSPP 3/4	340
		BSPP 1	100
		BSPP 1-1/4	114
		BSPP 1-1/2	112
03	Sealing	(Ball sealing only for VUR180/140/380/120)	SF
		Tenuta a cono (Poppet sealing)	SP
04	Spring	1 bar Standard (14.5 PSI)	1
		3 bar (43.5 PSI)	3
		4,5 bar (65.25 PSI)	4,5
		6 bar (87 PSI)	6

Technical data

Mineral oil	ISO 6743/4 (DIN 51524)	
Oil viscosity	15-250 mm²/s (15 to 250 cSt)	
Max contamination index with filter	ISO 4406:1999 Classe 19/17/14	
Oil temperature	-20°C +80°C	-4°F + 176°F
Ambient temperature	-20°C +50°C	-4°F + 122°F
It is necessary a filter use to protect the valve (advised filtration 15 µm)		
Max leakage	0,015 in³/min - 5 drops/min	

Performances



Technical characteristics

Type	A	Max flow (USgpm)	Max Pressure (PSI)	L	Ch.	Approx weight (lb)
VUR180	BSPP 1/8	5 (1.3)	400 (5800)	47 (1.85)	14	0,05 (0.11)
VUR140	BSPP 1/4	15 (4.0)		55 (2.17)	19	0,10 (0.22)
VUR380	BSPP 3/8	30 (7.9)		65 (2.56)	24	0,18 (0.40)
VUR120	BSPP 1/2	50 (13.2)		75 (2.95)	27	0,23 (0.50)
VUR340	BSPP 3/4	90 (23.8)		86,5 (3.41)	35	0,45 (1)
VUR100	BSPP 1	150 (39.6)	350 (5075)	110 (4.33)	41	0,73 (1.6)
VUR114	BSPP 1-1/4	200 (52.8)		123 (4.84)	55	1,5 (3.3)
VUR112	BSPP 1-1/2	300 (79.2)		138 (5.43)	60	1,85 (4.07)
VUR200	BSPP 2	430 (113.5)	250 (3625)	145 (5.71)	70	2,7 (6)